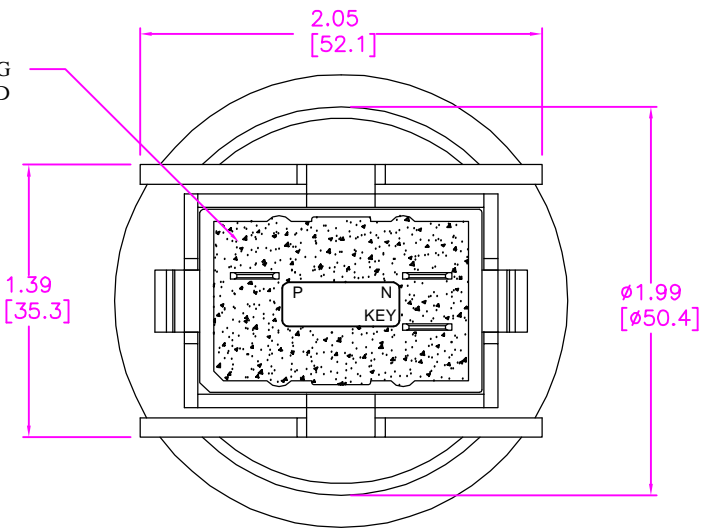
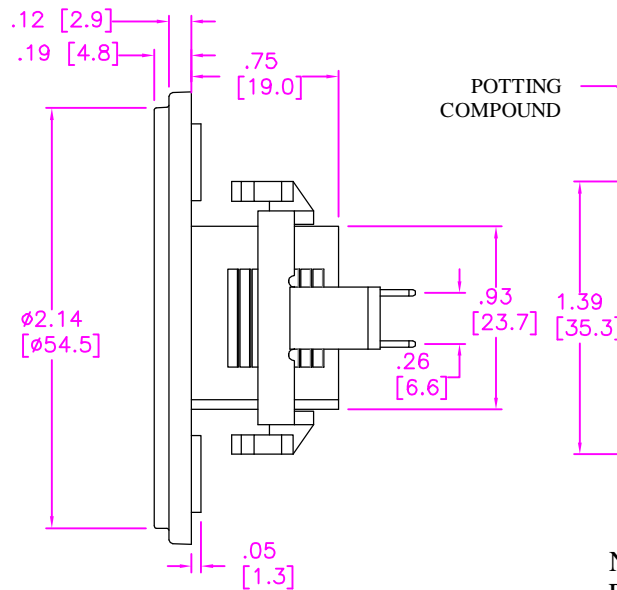
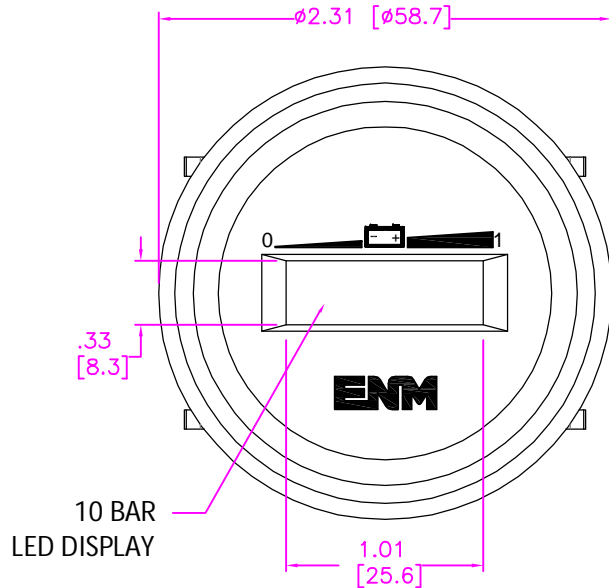
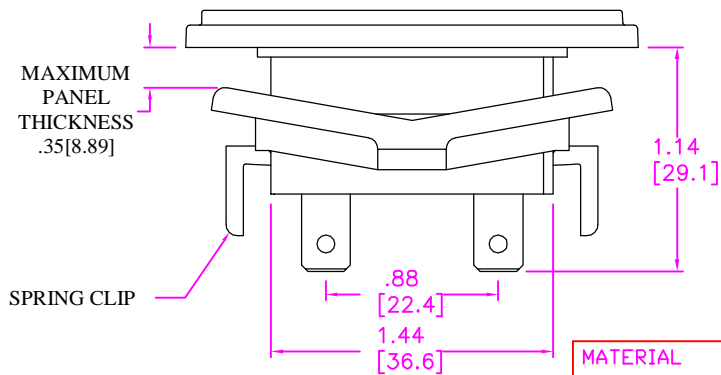


# REVISIONS

SYM	DESCRIPTION	DATE	APPROVAL
-----	-------------	------	----------

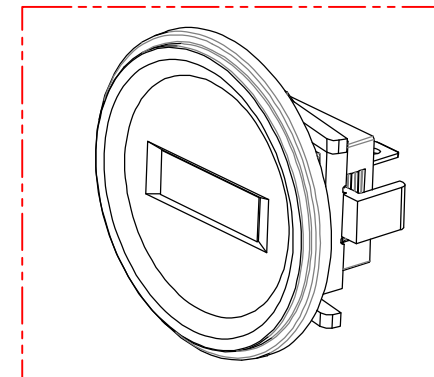


NOTE:  
PANEL CUT OUT ----  $\phi 2.00$  [5.8]



## TECHNICAL DATA

- OPERATING: 3 TERMINALS DEVICE
  - TERMINAL: (P) AND (N) -POWER INPUT
  - TERMINAL: (KEY) - ENABLE LED DISPLAY (ACTIVE HIGH)
- OPERATING VOLTAGE: 12,24,36,48V GAUGE
  - 2.02V/ CELL @ FULL: 1.73V/CELL @ EMPTY
  - 2.09V/CELL RESET
- TOTALLY SEALED: IP67
- CASE MATERIAL: PC, BLACK
- TERMINALS: FLAT 1/4"x1/32" WITH HOLE
- AVAILABLE WITH AND WITHOUT INTERNAL MEMORY

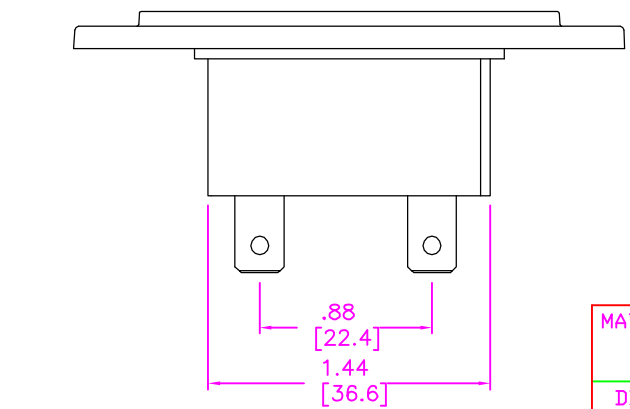
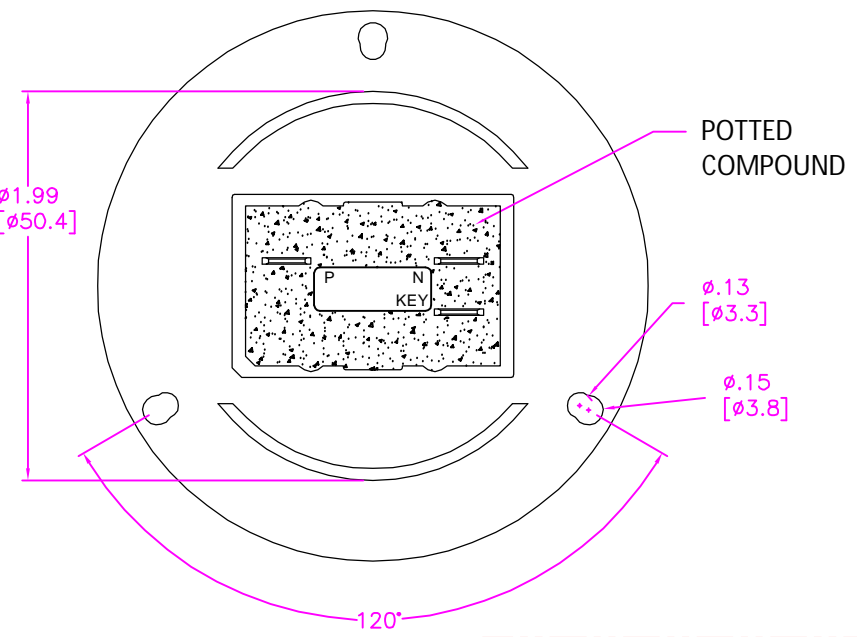
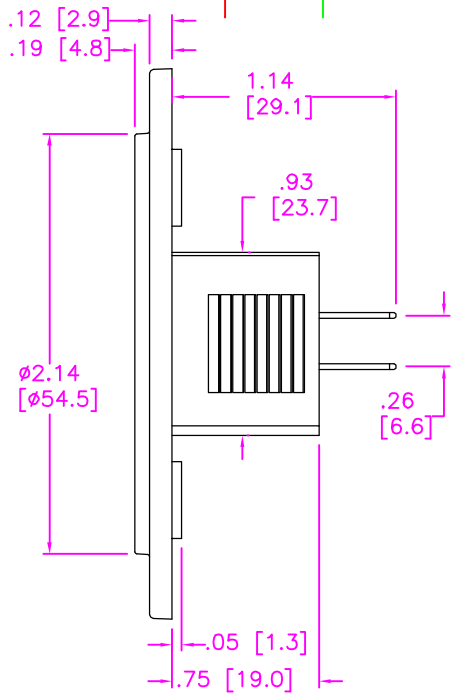
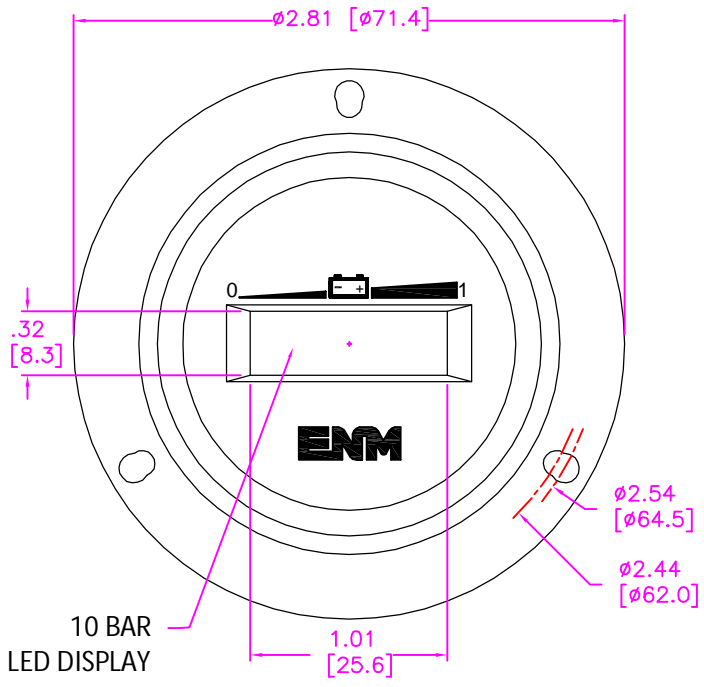


MATERIAL			FINISH			HEAT TREAT		
DIMENSIONAL TOLERANCES UNLESS OTHERWISE SPECIFIED <td colspan="3">TITLE <td colspan="3">WEIGHT </td></td>			TITLE <td colspan="3">WEIGHT </td>			WEIGHT		
FRAC.	DEC.	ANG.	(BDI) BATTERY DISCHARGE INDICATOR WITH SPRING CLIP			<h1>ENM</h1> Chicago, Illinois		
$\pm 1/64$	.XXX $\pm .005$	$\pm 30^\circ$						
	.XX $\pm .01$							
SCALE	NO. REQ.D	DRAWN	J.G.	DATE	11/16/10	SIZE	DRAWING NUMBER	ISSUE
1.1		CHECKED	N.I.	DATE	11/16/10	A	T57A1	1
NEXT ASSY.		APPROVED	J.G.	DATE	11/16/10			

THIS PRINT IS THE PROPERTY OF ENM COMPANY AND IS LOANED SUBJECT TO RETURN UPON DEMAND. TITLE TO SAME IS NEVER SOLD OR OF DESIGN OR INVENTION ARE RESERVED. PRINT IS NOT NECESSARILY TO SCALE.

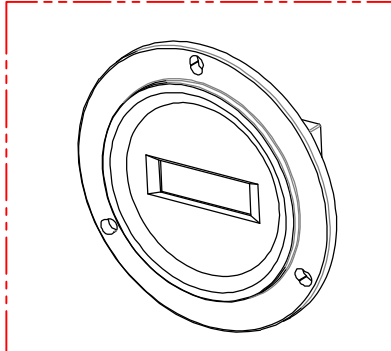
# REVISIONS

SYM	DESCRIPTION	DATE	APPROVAL
-----	-------------	------	----------



### TECHNICAL DATA

- OPERATING: 3 TERMINALS DEVICE
  - TERMINAL: (P) AND (N) -POWER INPUT
  - TERMINAL: (KEY) - ENABLE LED DISPLAY (ACTIVE HIGH)
- OPERATING VOLTAGE: 12,24,36,48V GAUGE
  - 2.02V/CELL @ FULL: 1.73V/CELL @ EMPTY
  - 2.09V/CELL RESET
- TOTALLY SEALED: IP67
- CASE MATERIAL: PC, BLACK
- TERMINALS: FLAT 1/4"x1/32" WITH HOLE
- AVAILABLE WITH AND WITHOUT INTERNAL MEMORY

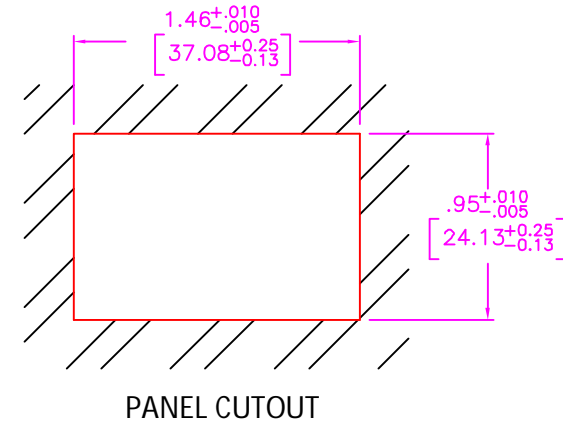
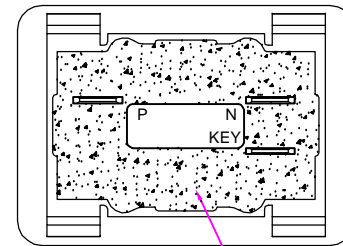
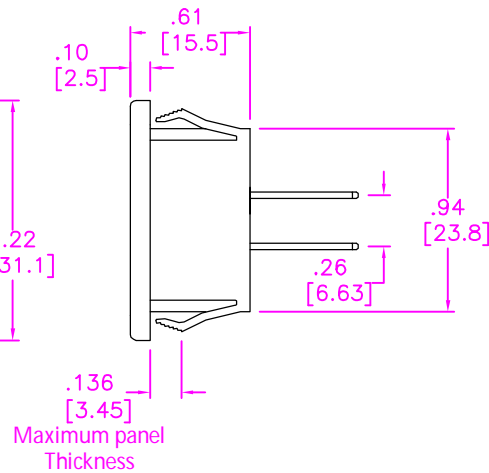
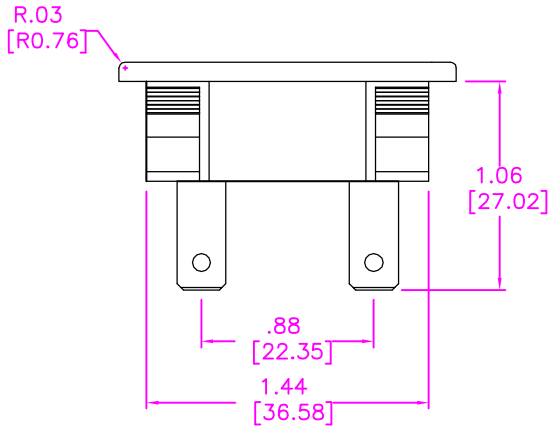
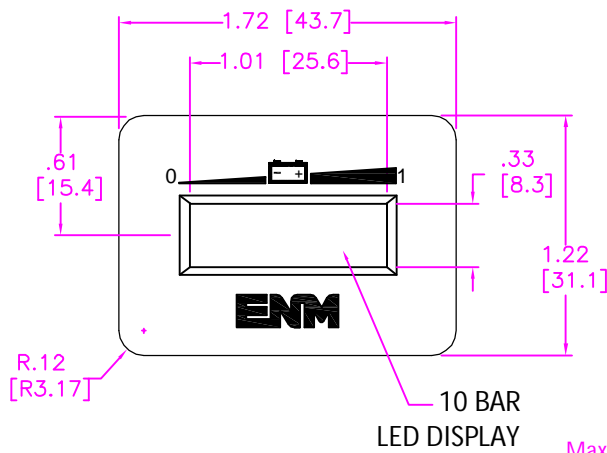


MATERIAL			FINISH			HEAT TREAT		
DIMENSIONAL TOLERANCES UNLESS OTHERWISE SPECIFIED			TITLE			WEIGHT		
FRAC.	DEC.	ANG.	(BDI) BATTERY DISCHARGE INDICATOR 3 HOLE MOUNT			<h1>ENM</h1> Chicago, Illinois		
$\pm 1/64$	.XXX $\pm .005$	$\pm 30^\circ$						
	.XX $\pm .01$							
SCALE	NO. REQ.D	DRAWN	J.G.	DATE	11/16/10	SIZE	DRAWING NUMBER	ISSUE
1.1		CHECKED	N.I.	DATE	11/16/10	A	T57B1	1
NEXT ASSY.		APPROVED	J.G.	DATE	11/16/10			

THIS PRINT IS THE PROPERTY OF ENM COMPANY AND IS LOANED SUBJECT TO RETURN UPON DEMAND, TITLE TO SAME IS NEVER SOLD OR OF DESIGN OR INVENTION ARE RESERVED. PRINT IS NOT NECESSARILY TO SCALE.

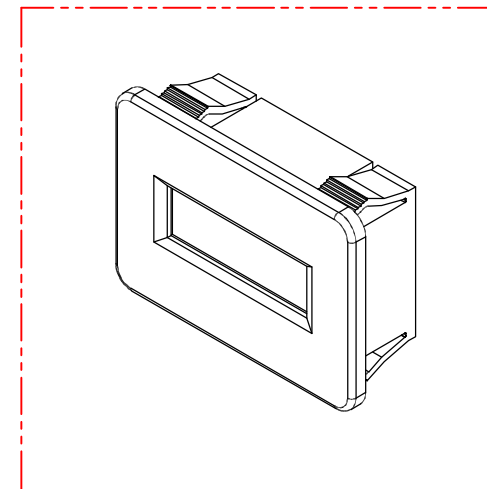
## REVISIONS

SYM	DESCRIPTION	DATE	APPROVAL



### TECHNICAL DATA

1. OPERATING: 3 TERMINALS DEVICE
  - TERMINAL: (P) AND (N) -POWER INPUT
  - TERMINAL: (KEY) - ENABLE LED DISPLAY (ACTIVE HIGH)
2. OPERATING VOLTAGE: 12,24,36,48V GAUGE
  - 2.02V/ CELL @ FULL: 1.73V/CELL @ EMPTY
  - 2.09V/CELL RESET
3. TOTALLY SEALED: IP67
4. CASE MATERIAL: PC, BLACK
5. TERMINALS: FLAT 1/4"x1/32" WITH HOLE
6. AVAILABLE WITH AND WITHOUT INTERNAL MEMORY

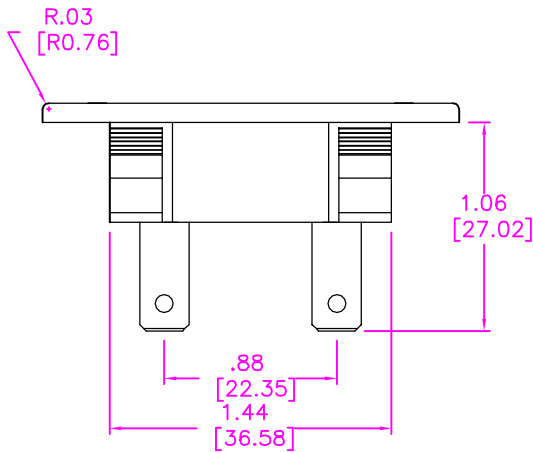
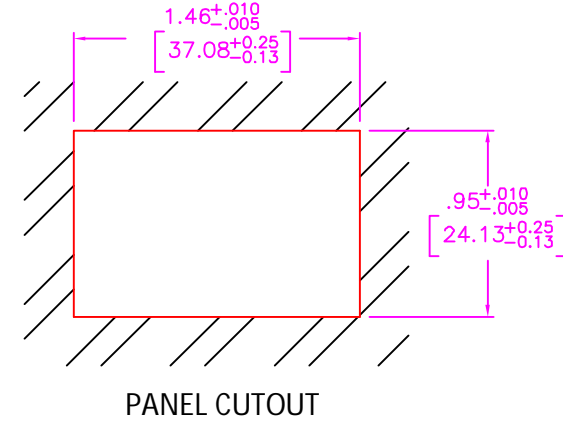
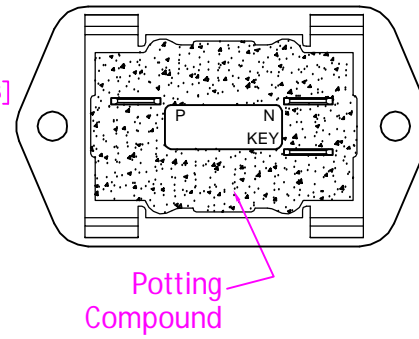
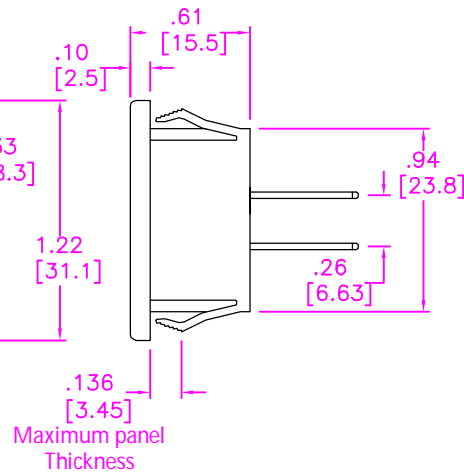
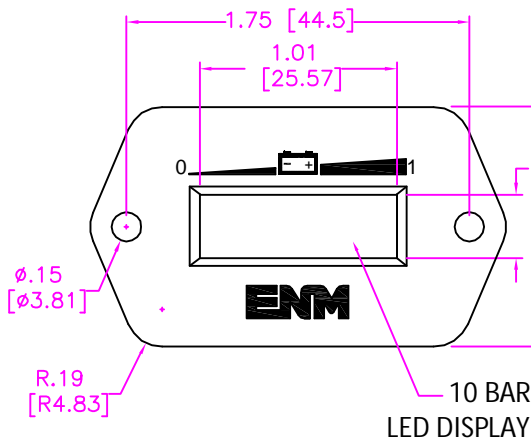


MATERIAL			FINISH			HEAT TREAT		
						WEIGHT		
DIMENSIONAL TOLERANCES UNLESS OTHERWISE SPECIFIED			TITLE			<h1 style="font-size: 2em; margin: 0;">ENM</h1> <p style="margin: 0;">Chicago, Illinois</p>		
FRAC.	DEC.	ANG.	(BDI) BATTERY DISCHARGE INDICATOR SNAP IN FRONT PANEL					
±1/64	.XXX ±.005	±30°						
	.XX ±.01							
SCALE 1.1	NO. REQ.D	DRAWN J.G.	DATE 11/18/10	SIZE A	DRAWING NUMBER T57D1	ISSUE 1		
NEXT ASSY.		CHECKED N.I.	DATE 11/18/10					
		APPROVED J.G.	DATE 11/18/10					

THIS PRINT IS THE PROPERTY OF ENM COMPANY AND IS LOANED SUBJECT TO RETURN UPON DEMAND, TITLE TO SAME IS NEVER SOLD OR OF DESIGN OR INVENTION ARE RESERVED. PRINT IS NOT NECESSARILY TO SCALE.

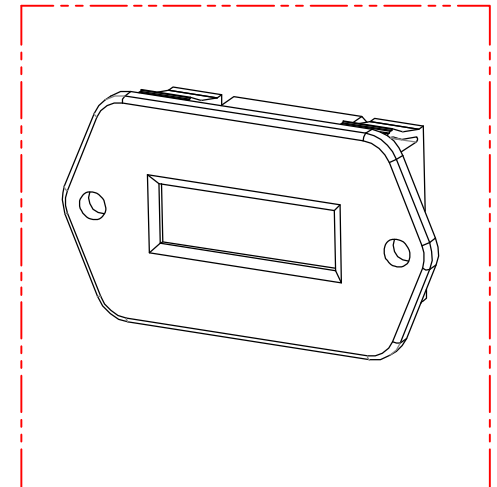
## REVISIONS

SYM	DESCRIPTION	DATE	APPROVAL



### TECHNICAL DATA

1. OPERATING: 3 TERMINALS DEVICE
  - TERMINAL: (P) AND (N) -POWER INPUT
  - TERMINAL: (KEY) - ENABLE LED DISPLAY (ACTIVE HIGH)
2. OPERATING VOLTAGE: 12,24,36,48V GAUGE
  - 2.02V/ CELL @ FULL: 1.73V/CELL @ EMPTY
  - 2.09V/CELL RESET
3. TOTALLY SEALED: IP67
- 4.CASE MATERIAL: PC, BLACK
- 5.TERMINALS: FLAT 1/4"x1/32" WITH HOLE
- 6.AVAILABLE WITH AND WITHOUT INTERNAL MEMORY



MATERIAL			FINISH			HEAT TREAT		
DIMENSIONAL TOLERANCES UNLESS OTHERWISE SPECIFIED			TITLE			WEIGHT		
FRAC.	DEC.	ANG.	(BDI) BATTERY DISCHARGE INDICATOR FRONT PANEL OR SNAP IN			<h1 style="margin: 0;">ENM</h1> <p style="margin: 0;">Chicago, Illinois</p>		
±1/64	.XXX ±.005	±30°						
	.XX ±.01							
SCALE	NO. REQ.D	DRAWN	J.G.	DATE	11/18/10	SIZE	DRAWING NUMBER	ISSUE
1.1		CHECKED	N.I.	DATE	11/18/10	A	T57E1	1
NEXT ASSY.		APPROVED	J.G.	DATE	11/18/10			

THIS PRINT IS THE PROPERTY OF ENM COMPANY AND IS LOANED SUBJECT TO RETURN UPON DEMAND, TITLE TO SAME IS NEVER SOLD OR OF DESIGN OR INVENTION ARE RESERVED. PRINT IS NOT NECESSARILY TO SCALE.