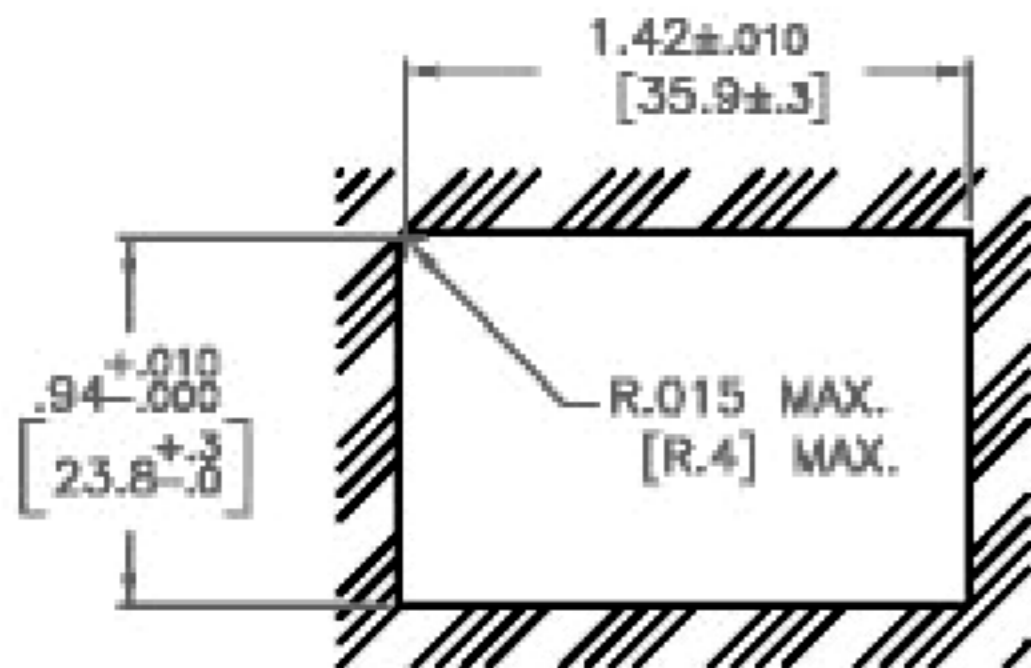
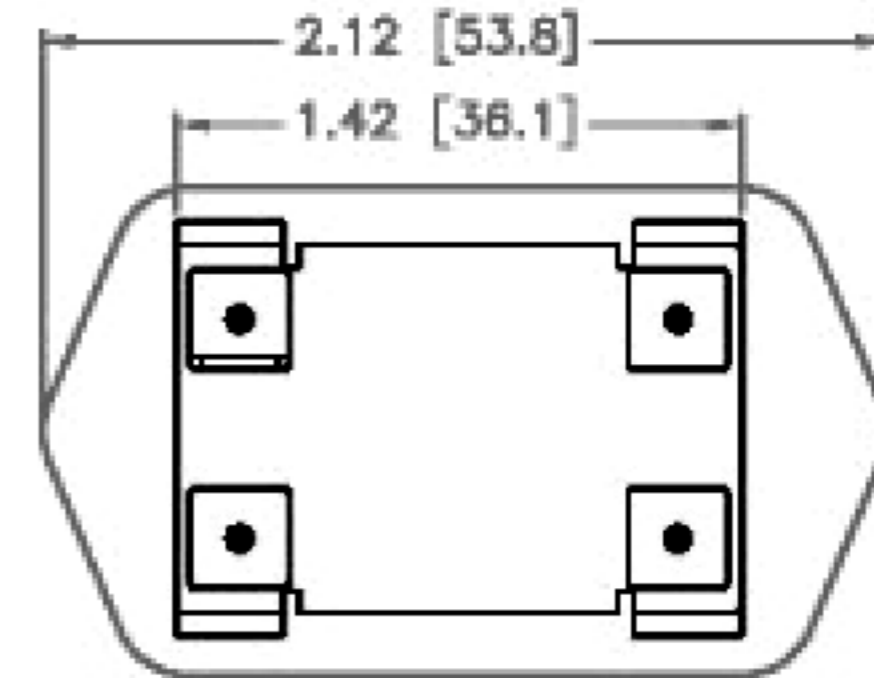
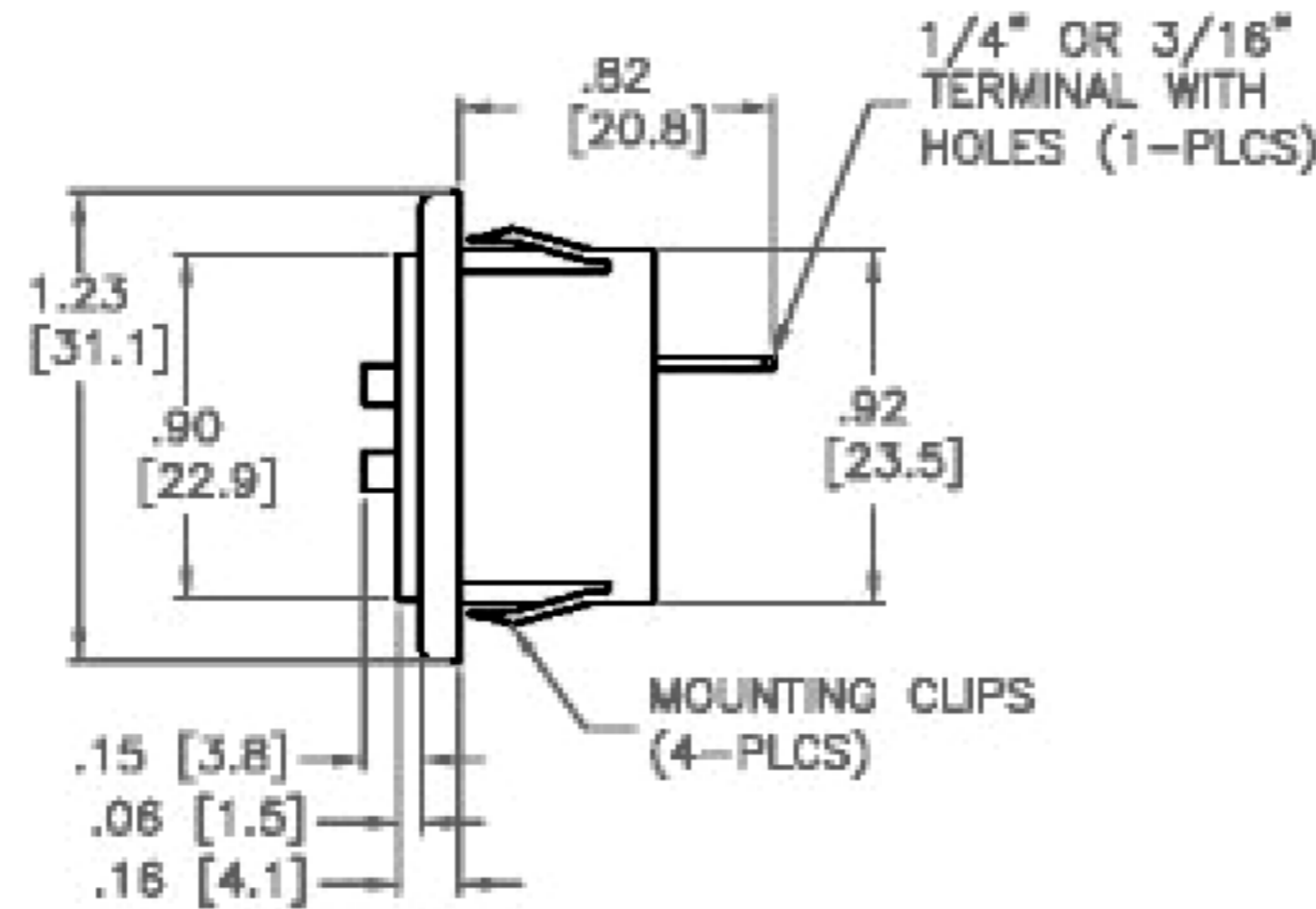
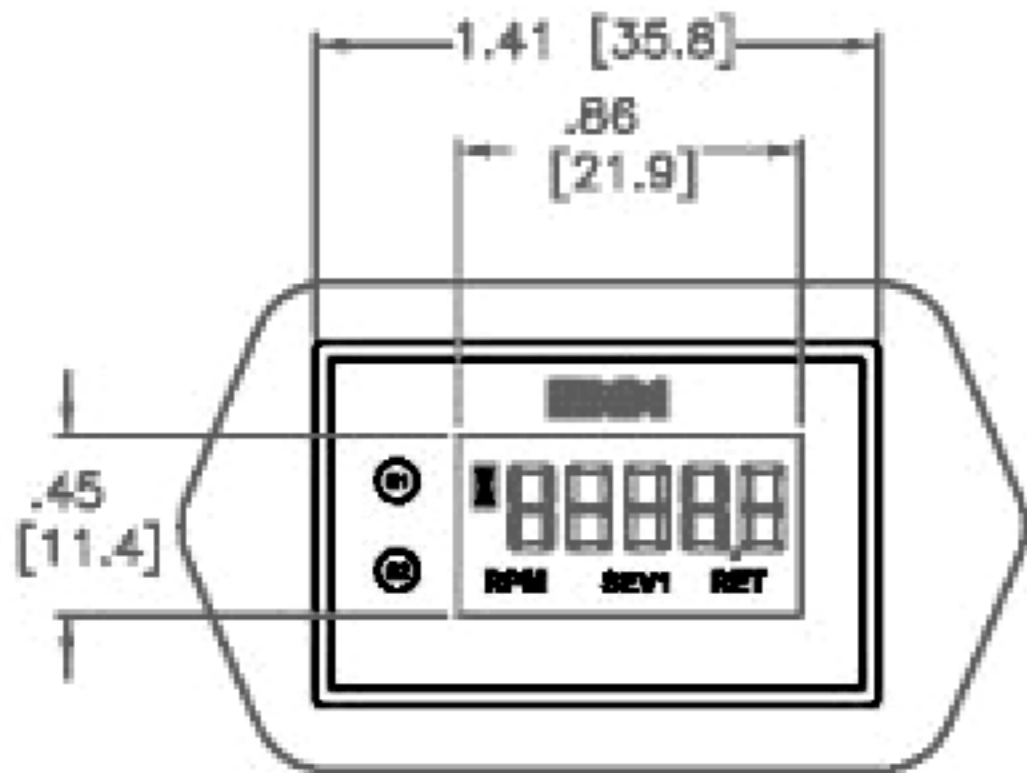


REVISIONS

SYM	DESCRIPTION	DATE	APPROVAL



PANEL THICKNESS
(.04 - .125)

Display Function

- 1) Self powered LCD Hour meter, Tachometer and Maintenance Meter
- 2) S1 button for programming, 1C,2C,4C or hours only
- 3) S2 button for programming Service Hours and reset Service Icon
- 4) Total hours display (9999.9) with hour glass as running indicator
- 5) LCD display is always ON shown total Hours when engine is not running and when operating RPM is displayed.
- 6) Single wire operation, wrap 3 or 4 turns around the spark plug wire of the engine.
- 7) 1C model up to 13,000 RPM
2C model up to 24,000 RPM
4C model up to 48,000 RPM or Hours only

MATERIAL			FINISH			HEAT TREAT			
DIMENSIONAL TOLERANCES UNLESS OTHERWISE SPECIFIED			TITLE			WEIGHT			
FRAC.	DEC.	ANG.	5-digit LCD Meter with spring clip			ENM Chicago, Illinois			
±1/64	.XXX ±.005	±30°							
	.XX ±.01		SCALE	NO. REQ'D	DRAWN	DATE	SIZE	DRAWING NUMBER	ISSUE
			1.1		J.G.	5/16/03	A	T46 SER.	1
NEXT ASSY.					CHECKED	DATE			
					APPROVED	DATE			

THIS PRINT IS THE PROPERTY OF ENM COMPANY AND IS LOANED SUBJECT TO RETURN UPON DEMAND. TITLE TO SAME IS NEVER SOLD OR OF DESIGN OR INVENTION ARE RESERVED. PRINT IS NOT NECESSARILY TO SCALE.