

Right Angle Drive Adapters Catalog



ENM Company
 5617 Northwest Highway
 Chicago, Illinois 60646-6135
 (773) 775-8400
 Fax (773) 775-5968
 Toll Free (888) 372-0465
 e-mail: enmco@aol.com

Series AD1H SAE Right Angle Drive Adapters

This easy to use catalog will help you select the correct right angle drive adapter for your OEM or replacement applications.

By offering ten standard Series AD1H types, ENM can satisfy most popular engine needs with a reliable, rugged, heavy duty right angle drive adapter. Because they are specifically built for severe service conditions, ENM adapters are ideally suited for diesel powered earth moving equipment, trucks and tractors.

Construction

ENM adapters are engineered for long, precise, trouble-free life. Shafts and gears are one-piece construction of hardened and ground steel. All fittings are plated steel with oil impregnated sintered bronze bearings — factory lubricated for life. And ENM has strengthened the “weak link” in most adapters by lengthening the input sleeve to make a more rugged housing. This also provides an easier, more secure mount.

Delivery

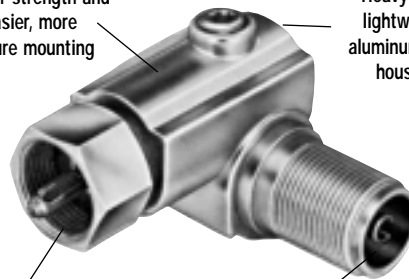
ENM manufactures and stocks ample quantities of case housing and components for prompt shipment of any of our ten standard right angle drive adapters. Many of these

Extended sleeve for greater strength and easier, more secure mounting

Heavy duty, lightweight aluminum alloy housing

All shafts and fittings per SAE standards

One-piece shaft and gear construction for long-life precision



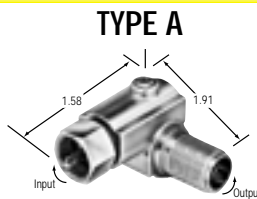
- Prevent flexible shaft kinking
- Maintain or decrease speeds
- Same or reverse rotation
- Available with single or dual take-offs

SPECIFICATIONS

Types: Single right angle, dual T-angle and dual 90° angle
Input Shafts: 5/32", 3/16" tang and .104", .183" sq. female
Output Shafts: 5/32", 3/16" tang and .104", .151" sq. female
Input and Output Fittings: 7/8 - 18 NS
Sleeve Length: 1.58"
Rotation: Clockwise or counterclockwise, same or reverse
Ratios: Input to output, 1:1 and 2:1 standard
Materials: Housing - Aluminum alloy
 Fittings - Plated steel
 Gears and Shafts - One-piece steel, hardened and ground
 Bearings - Oil impregnated bronze, no lubrication required
Weights: Single drives - 10 oz.
 Dual drives - 12 oz.

Configurations and Input/Output Rotations (Series AD1H Only)

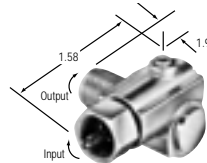
Right Angles



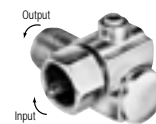
TYPE B



TYPE C



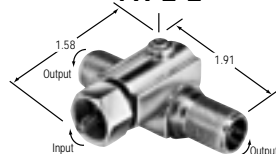
TYPE D



Dimensional data is for reference only.

Dual T-Angles

TYPE E



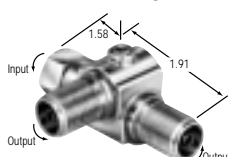
TYPE F



Certified dimensions available on request.

Dual 90° Angles

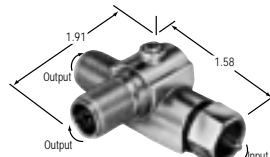
TYPE J



TYPE K



TYPE L



TYPE M



Series AD2H

SAE Right Angle Drive Adapters

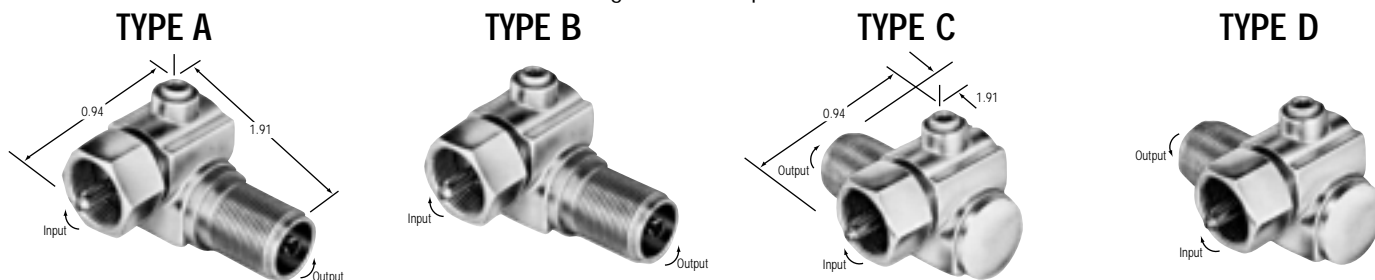
SPECIFICATIONS

Same as Series AD1H, except available in single right angle types only with sleeve length of

- Same or reverse rotation
- Available with single take-offs
- One-piece shaft and gear construction
- Light duty, lightweight aluminum alloy housing
- All shafts and fittings per SAE standards

Series AD2H offers four standard types of right angle drive adapters to satisfy the most prevalent medium service conditions.

Similar in design and construction to Series AD1H with but one exception, Series AD2H features a shorter sleeve of conventional length. This enables it, dimensionally, to be used as a direct replacement for most standard right angle drive adapters.



Dimensional data is for reference only. Certified dimensions available on request.

Series AD3H

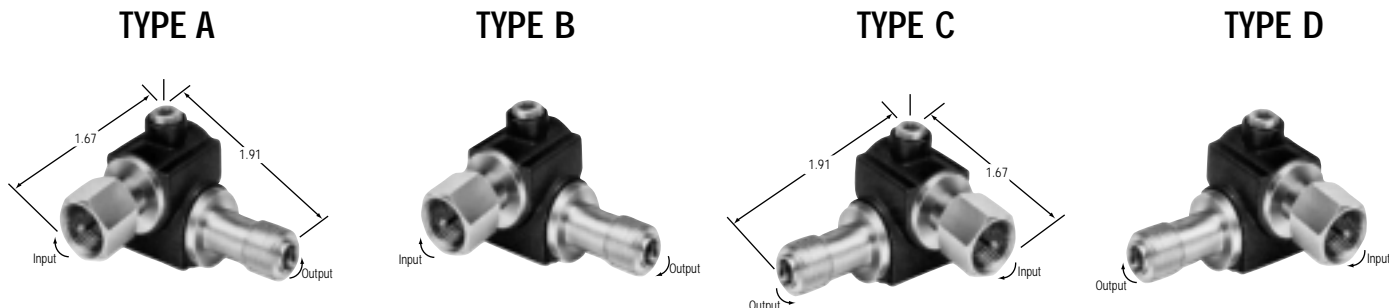
SAE Right Angle Drive Adapters

SPECIFICATIONS

Same as Series AD1H, except available in single right angle types only with sleeve length of 1.67 and fittings are 5/8 -

- Same or reverse rotation
- Available with single take-offs
- One-piece shaft and gear construction
- Light duty, lightweight aluminum alloy housing
- All shafts and fittings per SAE standards

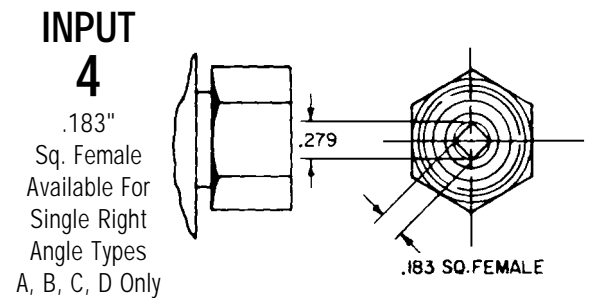
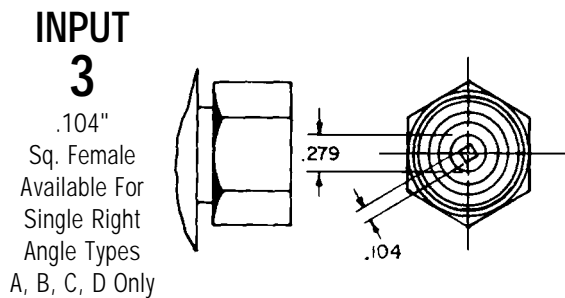
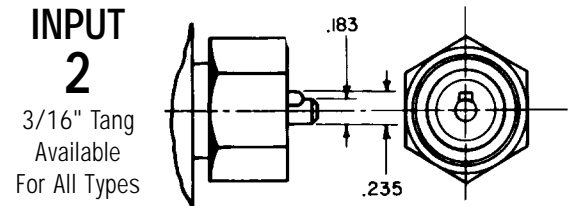
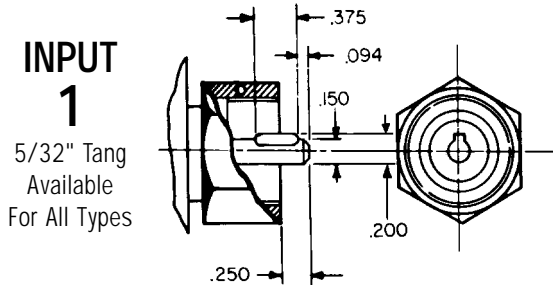
Series AD3H is similar in design and construction to Series AD1H. It offers four different types of right angle drive adapters that will fill most medium service needs.



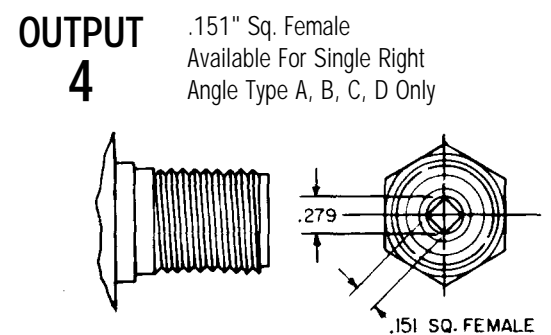
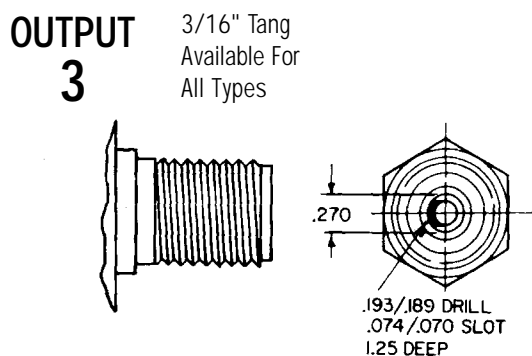
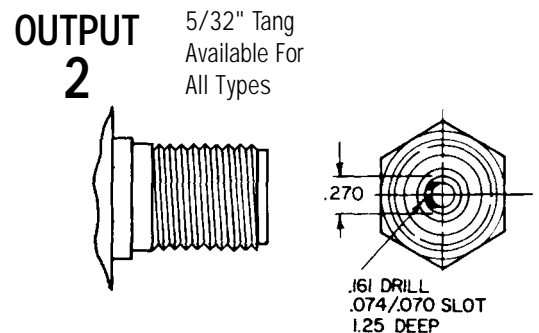
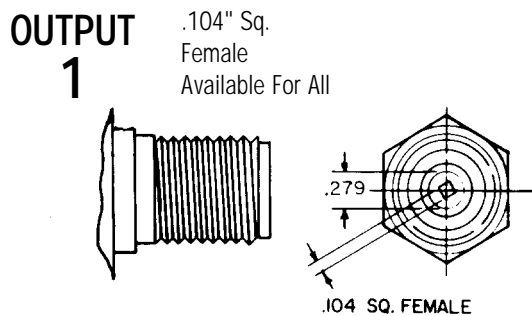
Dimensional data is for reference only. Certified dimensions available on request.

Shafts & Fittings for Series AD1H, AD2H, and AD3H

INPUTS



OUTPUTS



RATIO 1:1 INPUT TO OUTPUT

Note: The 1:1 ratio is standard. Consult factory of other ratios available.

TERMS

Net 30 days, F.O.B. Chicago. Prices are subject to change. Orders received will be billed at prices in effect at time of shipment.

WARRANTY

ENM Company warrants that the product will be free from defects in material and workmanship for a period of one year. While within warranty, ENM Company will correct any defect by repair or replacement, F.O.B. Chicago. ENM Company shall not be liable for any consequential damage. If the product has been misapplied, improperly used, or exceeds the life or operating characteristics, the Warranty will not apply. Special extended warranties available to our customers upon prior written arrangement.

All ENM products which fail within the warranty period due to defects in material or workmanship will be repaired or replaced, at ENM's option, without charge to the consumer when returned with proof of purchase to any authorized ENM dealer in the United States, transportation charges prepaid, provided there is no evidence of improper installation, tampering, or other abuse.

All implied warranties, including any implied warranty of merchantability or fitness for a particular purpose, shall be limited in duration to the express warranty period specified above.

How To Order

When ordering, furnish the quantity and complete Catalog No. for prompt shipment of the correct adapter.

STEP 1

If for original equipment, select the fittings, ratio, configuration and rotations desired. If for aftermarket, compare the old adapter with ENM diagrams and photos for a correct replacement.

STEP 2

After selections, specify the Catalog No. Begin all Catalog Nos. with the Prefix AD1H, AD2H, AD3H, or AD4H, as required. This identifies the basic ENM Series.

➤ Example: AD1H

STEP 3

Next specify the Input Fitting (1, 2, 3, or 4) as selected from SHAFTS & FITTINGS on page 3.

➤ Example: AD1H2

STEP 4

Now specify the Output Fitting (1, 2, 3, or 4) also selected from SHAFTS & FITTINGS on page 3.

➤ Example: AD1H23

STEP 5

Then specify the Type (A, B, C, D, E, F, J, K, L, or M) as selected from TYPES on pages 1 or 2. This identifies the configuration and rotations desired.

This

Note: Series AD2H available in Types A, B, C, or D Only.

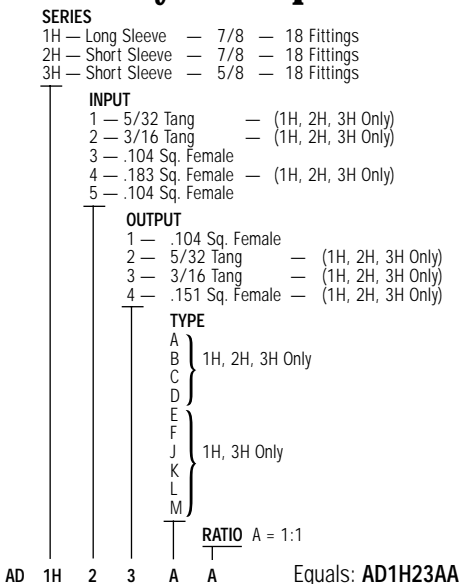
➤ Example: AD1H23A

STEP 6

Specify A for the standard ratio of 1:1. Other ratios are available. Consult factory.

➤ Example: AD1H23AA

Summary Example: AD – Right Angle Adapters



In this example, our customer has ordered a No. AD1H23AA. This is a basic ENM Series AD1H adapter, with a 5/32" tang on the input shaft, a 3/16" tang on the output shaft, in a right angle configuration with clockwise input and counterclockwise output rotations, and 1:1 ratio.

ENM Company, 5617 Northwest Highway, Chicago, IL 60646-6135
Phone: (773) 775-8400 or toll free (888) 372-0465
Fax: (773) 775-5968 email: enmco@aol.com